

# LET'S THINK ABOUT YOUR KITCHEN

OF HUNGERFORD  
**John Lewis**

Extraordinary times like these will change the values of all of us and in the future we will think more about our homes, our families, our friends and our neighbours. We will think differently about the things that define us, like the furniture we buy, the cars we drive, the food we eat and the clothes we wear. We all know that the most important thing is to be happy and help others to be the same.

It's the 1000 piece jigsaw of tiny things that touch the senses and eventually the heart. This is the way we fall in love with the people, the places and the things that become important in our lives.

The kitchen is sometimes called the heart of the home and with the luxury of more time to spare you may feel now is the time to bring out those feelings of love and warmth in your own space.

Have a look at our film and see how we can help. We cannot visit you at the moment but let us know if you would like us to call you for an initial chat. If you can take some basic dimensions that would help to get started.

*John Lewis*

**JLH & Co. 8 Minute Film**

<https://tinyurl.com/s7cwnea>

Standing the Test of Time -  
Our beautiful new short film



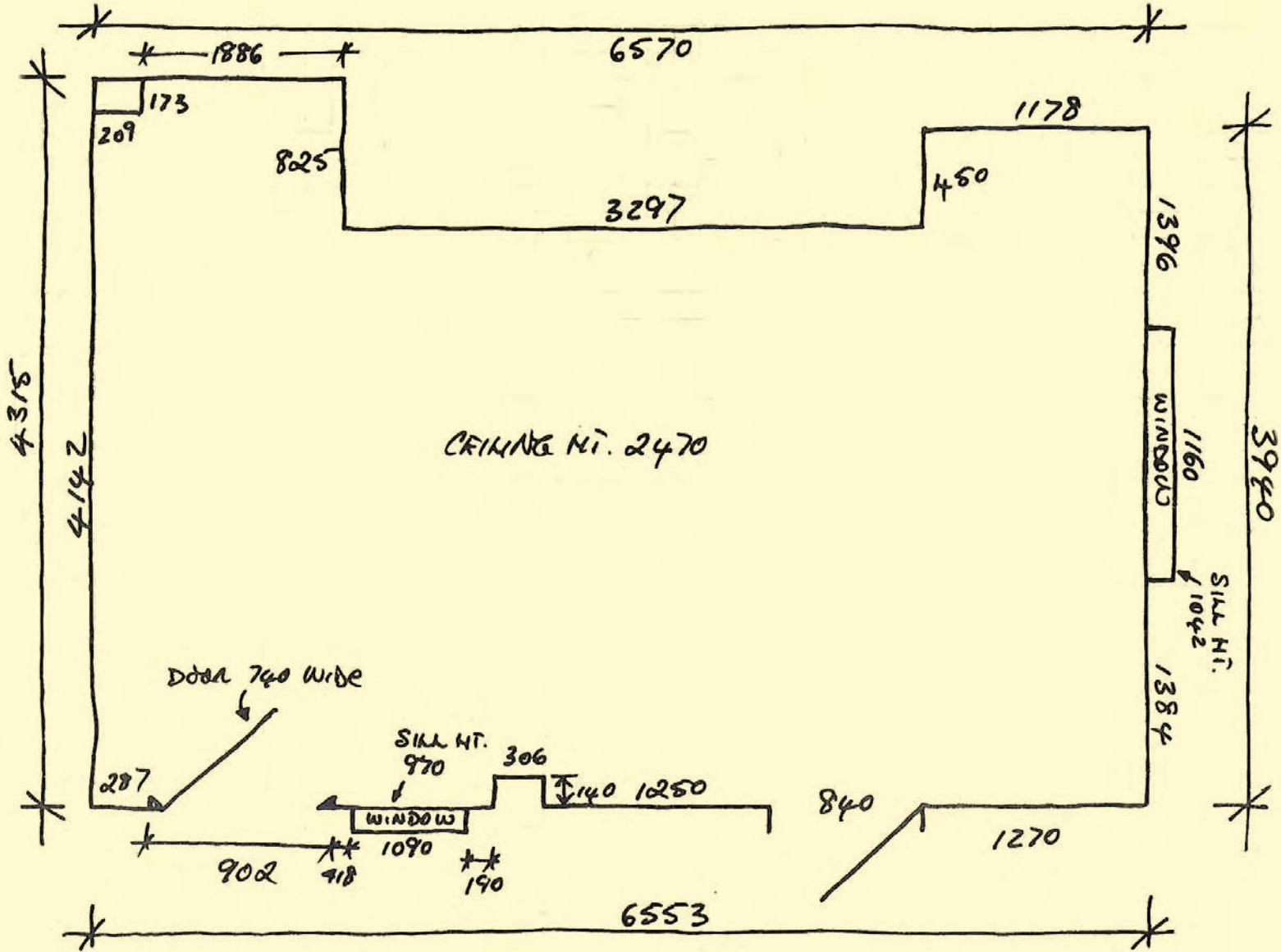
INSPIRED BY CUSTOMERS

# HOW TO MEASURE YOUR KITCHEN

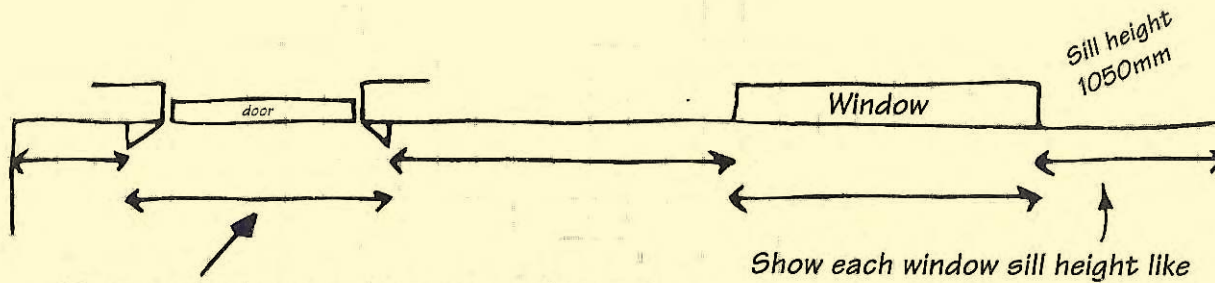


1. You should measure **the walls** of your kitchen not the existing cabinets. If there is a cupboard, dresser or fixture which you would like to keep, then measure that as well.
2. Before measuring, stand in the middle of the room and draw the outline onto a sheet of paper. Do not try to draw it to scale! This type of drawing, looking down from above, is called a **Plan View**. Have a look at the drawing on page 3 for guidance and show your windows and doors as indicated.
3. You now need to put some measurements onto the plan view, preferably in metric. Use a normal metal tape and measure as accurately as you can. Look at our drawings on page 4 for ideas on how to take certain dimensions.
4. If your ceiling is reasonably level please indicate its height from the floor. If it slopes or steps up or down try to show this as clearly as possible. You can show different floor levels in a similar way. If your ceiling has beams please indicate the position and sizes of at least the main ones.
5. **Now for some awkward things** (but it's all worth it in the end!) electricity meters, gas meters, water mains, waste outlet and boilers etc. We need to know their sizes and positions in the room. It may be best to show these in separate sketches looking at them front on - see some of our ideas on page 5.

This is a typical plan view of a kitchen but at this stage don't worry if you cannot provide as much detail.



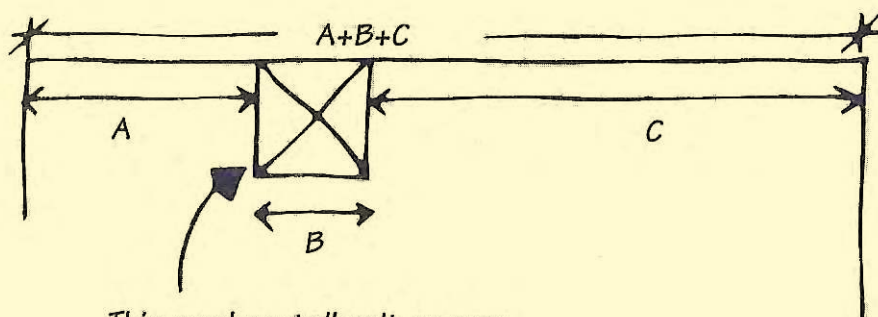
# How to show windows and doors.



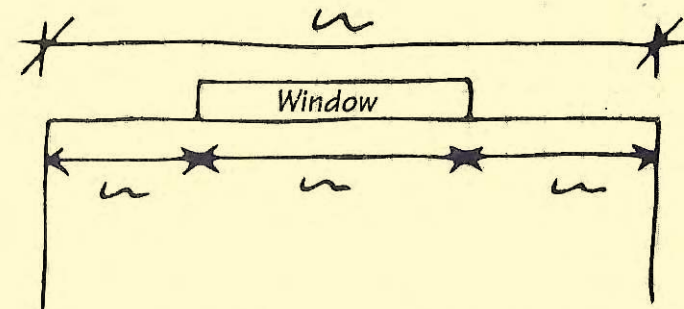
Measure doorways architrave to architrave but it's useful to add the width of the actual door as well.

Show each window sill height like this.

## HOW TO MEASURE A WALL WHEN YOU CANNOT RUN THE TAPE ALONG IN ONE GO.

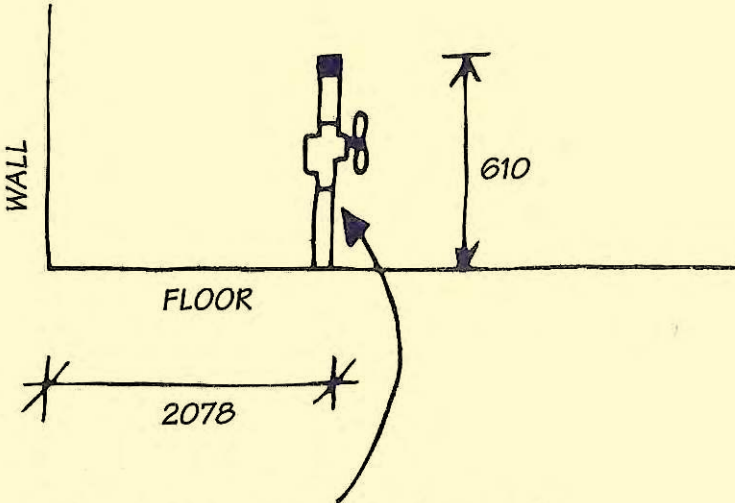


This maybe a tall unit or oven housing etc.

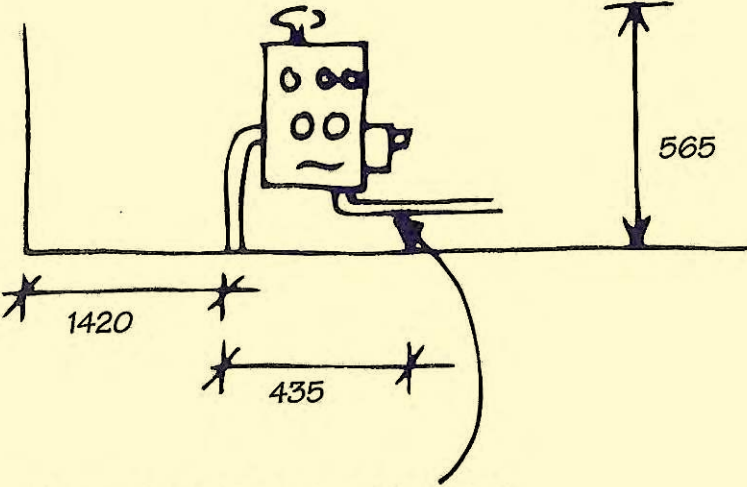


Make sure that your overall measurement of each wall is very similar to the total of the individual measurements. If it is exactly the same it probably means that you have measured very accurately.

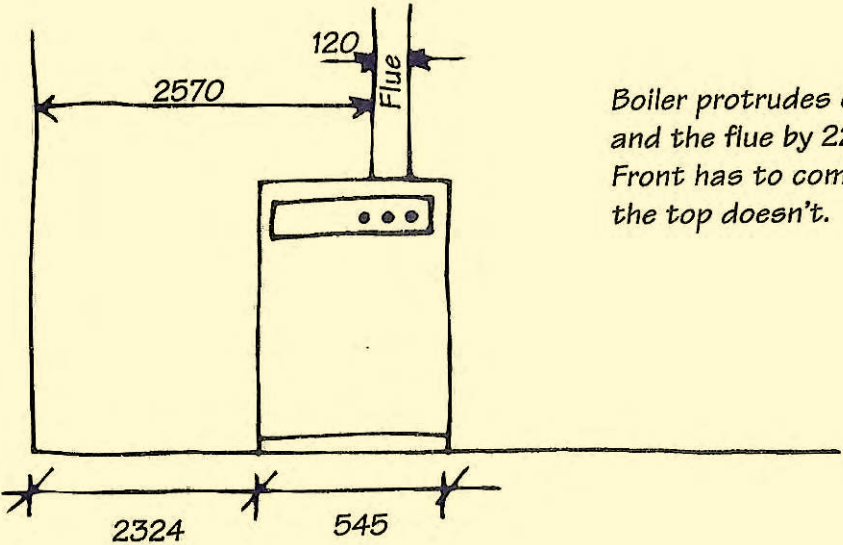
How to show those awkward things.



Water main protrudes out from wall by 205mm.



Gas meter protrudes out from wall by 310mm.



Boiler protrudes out from wall by 615mm and the flue by 225mm. Front has to come off for servicing but the top doesn't.

# GETTING STARTED

OF HUNGERFORD  
**John Lewis**



Take some measurements to get started then call **0700 278 4726** to arrange for a JLH Kitchen Designer to contact you.

**John Lewis of Hungerford & Co.**  
**The Kitchen Artisans**  
Since 1972

[sales@john-lewis.co.uk](mailto:sales@john-lewis.co.uk)

0700 278 4726

[www.john-lewis.co.uk](http://www.john-lewis.co.uk)